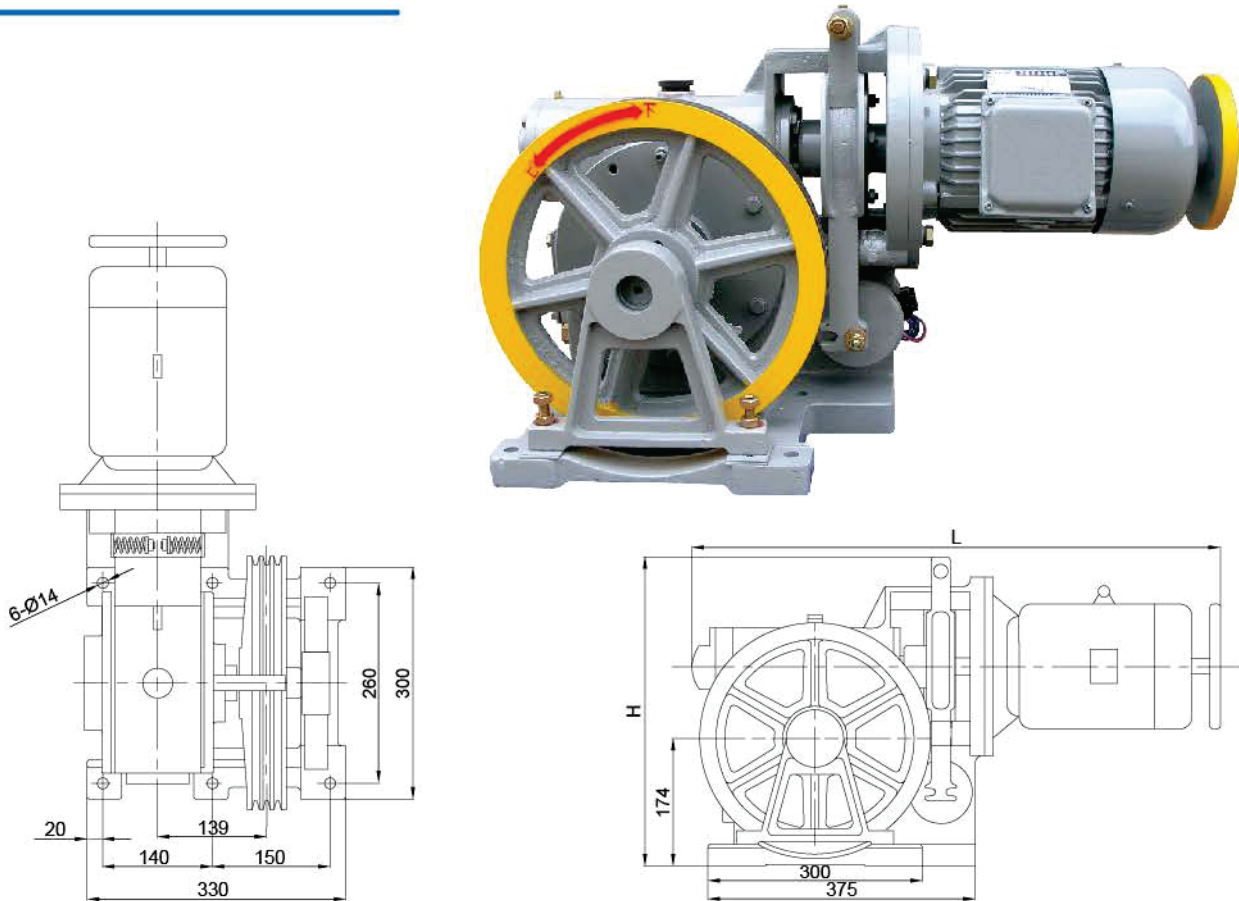


# NIM-100K

YJF100K Goods Elevator Traction Machine



## Specification

**Static Load: 2000kg**

Load(kg)	Speed (m/s)	Reduction ratio	Wire Rope (mm)	Main sheave & pitch (mm)	Motor Specification					Brake Voltage (V)		Weight (kg)	Machine Dimension (mm)			
					Motor model	Power (kw)	Pole	Rpm	Currents (A)	Open	Keep		H	L		
100	0.4	62:1	ϕ 8*2	ϕ 325-20	YX3-90S-4	1.1	4P	1420	2.74	110	80	100	730			
200	0.4	62:1	ϕ 8*2	ϕ 325-20	YZH90L-4	1.5		1400	3.7			110	80	110	750	
250	0.4	62:1	ϕ 8*3	ϕ 325-14	YZH100L-4	2.2		1420	5.2			110	80	125	120	780
300	0.4	62:1	ϕ 8*3	ϕ 325-14		3			6.8						125	800
350	0.4	62:1	ϕ 8*3	ϕ 325-14		3.5			7.9						130	850
100	1.0	33:2	ϕ 8*3	ϕ 325-14	YZH100L-6	1.5	6P	940	3.9	110	80	110	750			
200	1.0	33:2	ϕ 8*3	ϕ 325-14	YZH112M-6	2.2			5.52			120	780			