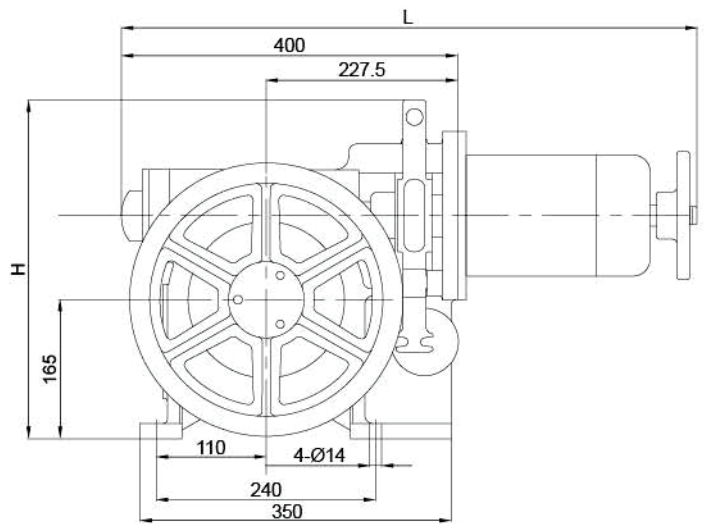
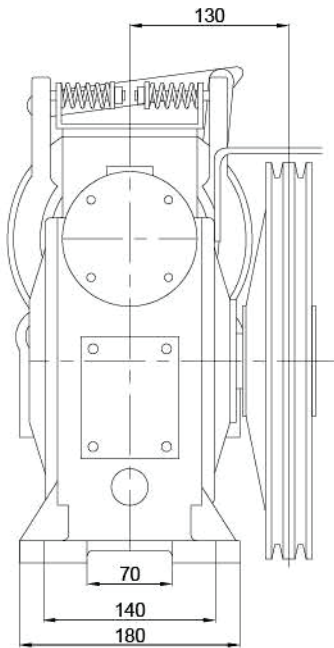
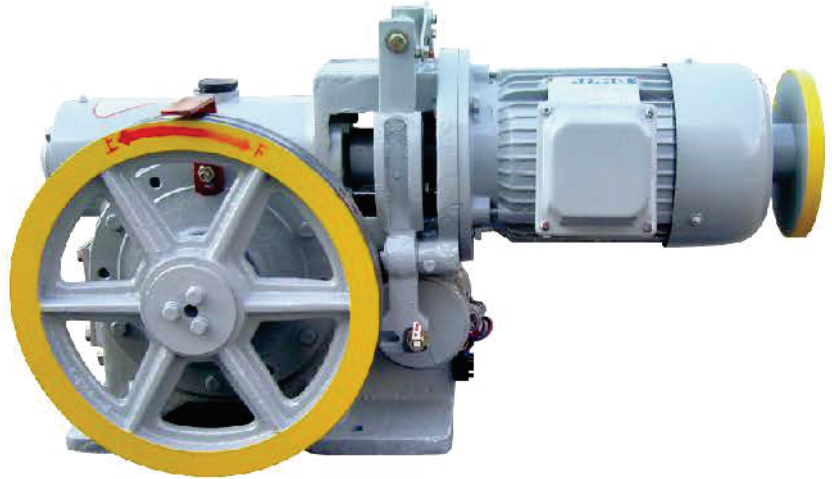


NIM-100KXG

YJF100K-XG Populace Goods Elevator
Traction Machine



Specification

Static Load: 2000kg

Load(kg)	Speed (m/s)	Reduction ratio	Wire Rope (mm)	Main sheave & pitch (mm)	Motor Specification					Brake Voltage (V)		Weight (kg)	Machine Dimension (mm)	
					Motor model	Power (kw)	Pole	Rpm	Currents (A)	Open	Keep		H	L
200	0.4	62:1	ϕ 8*2	ϕ 325-20	YZH90L-4	1.5	4P	1400	3.7	110	80	100	400	780