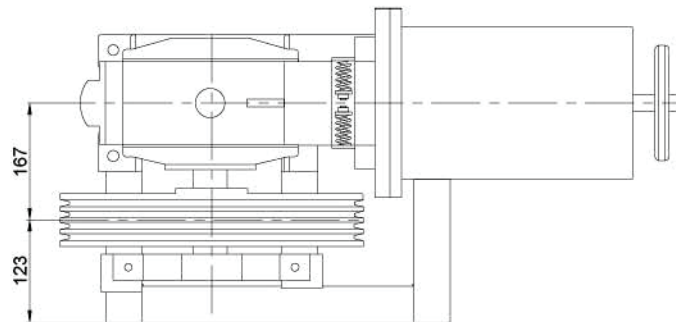
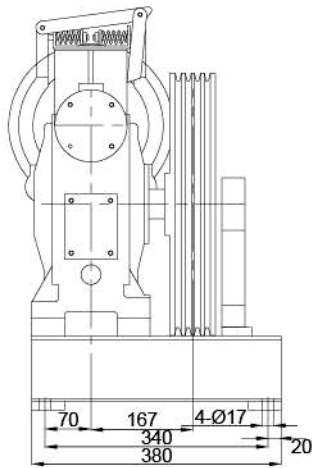
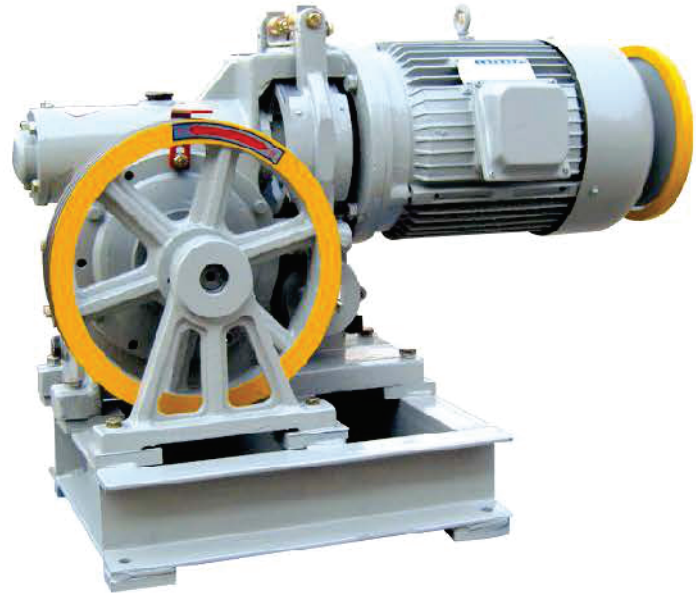
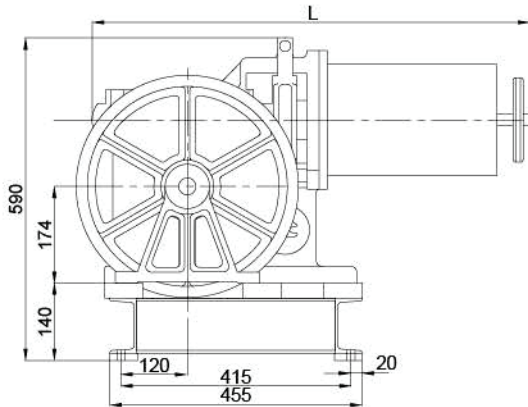


NIM-120K

YJF120K Outside Controls Populace Traction Machine



Specification

Static Load: 2500kg

Load(kg)	Speed (m/s)	Reduction ratio	Wire Rope (mm)	Main sheave & pitch (mm)	Motor Specification					Brake Voltage (V)		Weight (kg)	Machine Dimension (mm)	
					Motor model	Power (kw)	Pole	Rpm	Currents (A)	Open	Keep		H	L
250	1.0	31:1	ϕ 10*4	ϕ 400-16	YZH100 L-4	2.2	4P	1420	5.2	110	80	115	590	860
300	1.0	31:1	ϕ 10*4	ϕ 400-16		3.5		1430	7.9			130		870
400	0.4	68:1	ϕ 8*4	ϕ 360-14		3.5		1430	7.9			130		870
500	0.4	68:1	ϕ 8*4	ϕ 360-14	YZH112M-4	4.5	1440	9.8	170			890		