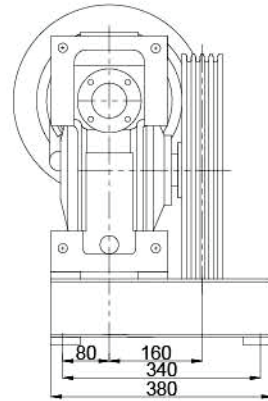
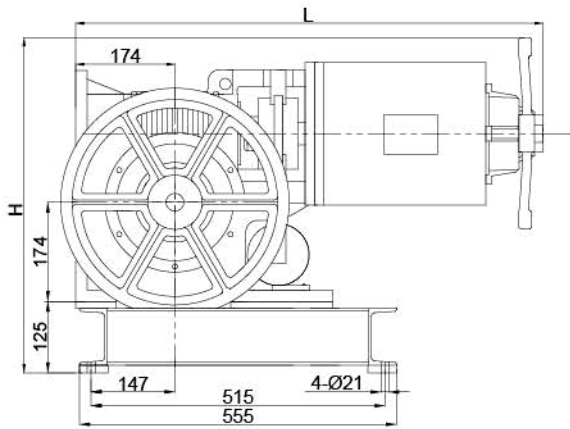
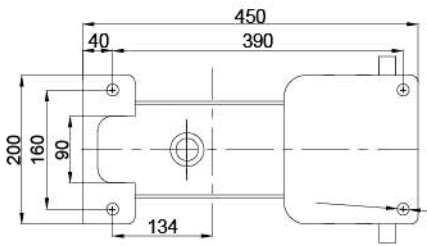
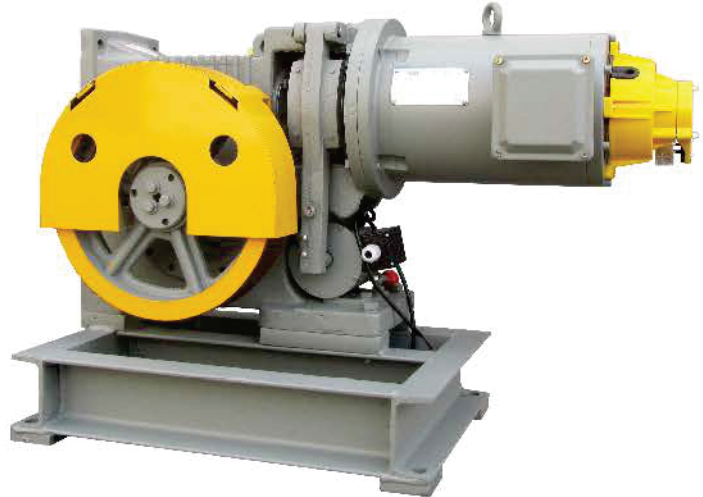


NIM-120WL-VVVF

YJF120WL-VVVF Villa Elevator
Traction Machine

- Horizontal, Vertical Installation



Specification

Static Load: 2500kg

| Load(kg) | Speed (m/s) | Reduction ratio | Wire Rope (mm) | Main sheave & pitch (mm) | Motor Specification | | | | | Brake Voltage (V) | | Weight (kg) | Machine Dimension (mm) | | | |
|----------|-------------|-----------------|----------------|--------------------------|---------------------|------------|------|------|--------------|-------------------|------|-------------|------------------------|-----|----|-----|
| | | | | | Motor model | Power (kw) | Pole | Rpm | Currents (A) | Open | Keep | | H | L | | |
| 320 | 0.5 | 56:1 | ϕ 8*4 | ϕ 360-14 | YTVF112 M1-4 | 2.2 | 4P | 1440 | 5 | 110 | 80 | 155 | 550 | 840 | | |
| 320 | 1.0 | 31:1 | ϕ 10*4 | ϕ 400-16 | | 3.5 | | | 7.3 | | | | | 860 | | |
| 400 | 0.5 | 56:1 | ϕ 8*4 | ϕ 360-14 | YTVF132 M1-4 | 4.5 | 4P | 1440 | 10 | 110 | 80 | 175 | 550 | 880 | | |
| 400 | 1.0 | 31:1 | ϕ 10*4 | ϕ 400-16 | | | | | | | | | | 5.5 | 12 | 900 |
| 450 | 0.5 | 56:1 | ϕ 8*4 | ϕ 360-14 | | | | | | | | | | | | 180 |
| 450 | 1.0 | 31:1 | ϕ 10*4 | ϕ 400-16 | | | | | | | | | | | | |