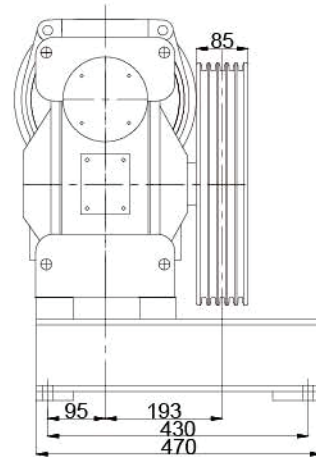
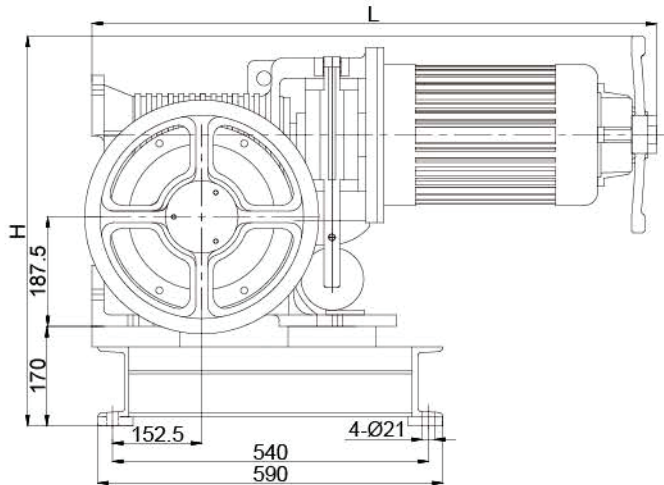
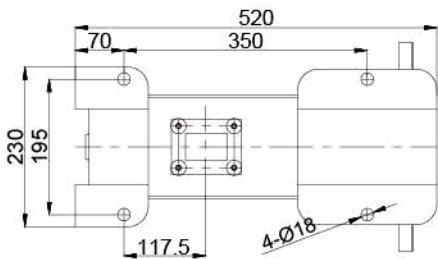
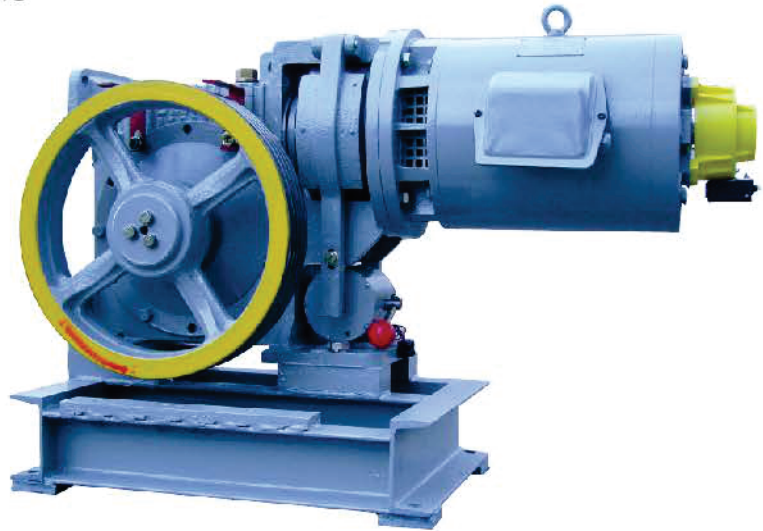


# NIM-140WL-VVVF

YJF140WL-VVVF Traction Machine

- Horizontal, Vertical Installation



## Specification

Static Load: 4000kg

Load(kg)	Speed (m/s)	Reduction ratio	Wire Rope (mm)	Main sheave & pitch (mm)	Motor Specification					Brake Voltage (V)		Weight (kg)	Machine Dimension (mm)	
					Motor model	Power (kw)	Pole	Rpm	Currents (A)	Open	Keep		H	L
630	0.5	51:1	ϕ 10*4	ϕ 480-16	YVT160 S2-6	5.5	6P	960	12.6	110	80	300	650	960
630	1.0	51:2	ϕ 10*5	ϕ 480-16		6.4			14			1000		
550	1.5	51:2	ϕ 12*4	ϕ 500-18	YTVF132 M-4	7.5	4P	1440	18			340		1100