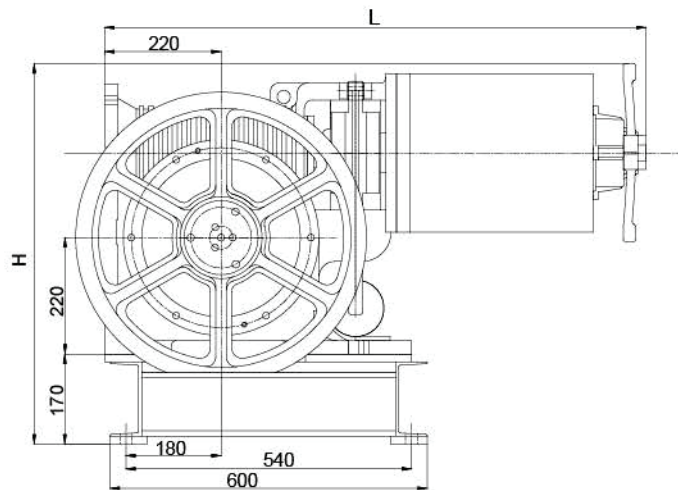
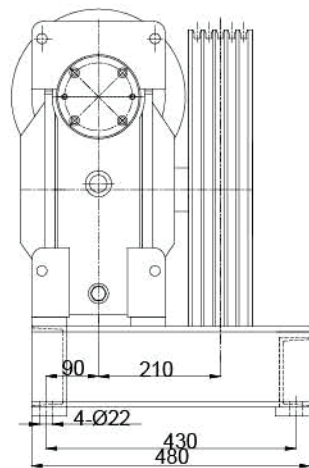
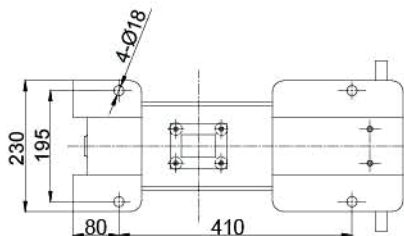
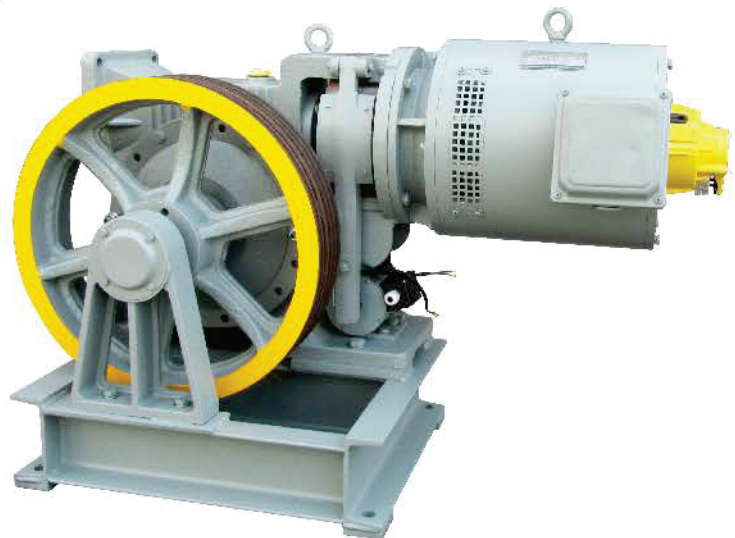


NIM-160WL-VVVF

YJF160WL VVVF Traction Machine

- Horizontal, Vertical Installation



Specification

Static Load: 5500kg

Load(kg)	Speed (m/s)	Reduction ratio	Wire Rope (mm)	Main sheave & pitch (mm)	Motor Specification					Brake Voltage (V)		Weight (kg)	Machine Dimension (mm)	
					Motor model	Power (kw)	Pole	Rpm	Currents (A)	Open	Keep		H	L
800	0.5	70:1	ϕ 12*5	ϕ 480-18	YTVF132 M1-4	6.4	4P	1440	13	110	80	320	750	1000
800	1.0	52:2	ϕ 13*4	ϕ 520-20	YVT160 S3-6	7.5	6P	960	16			340		1060
630	1.5	52:2	ϕ 13*4	ϕ 520-20	YTVF132 M1-4	9	4P	1440	21.8			360		1080