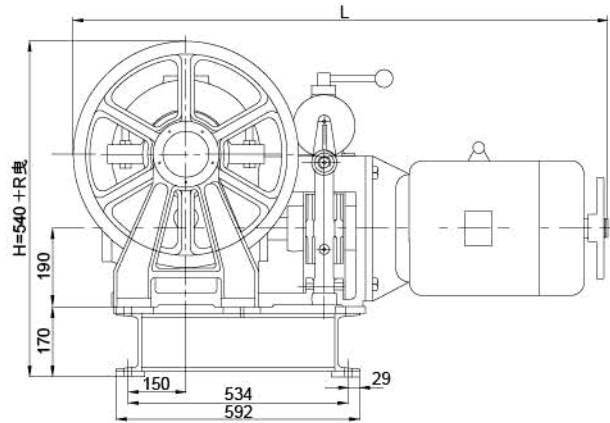
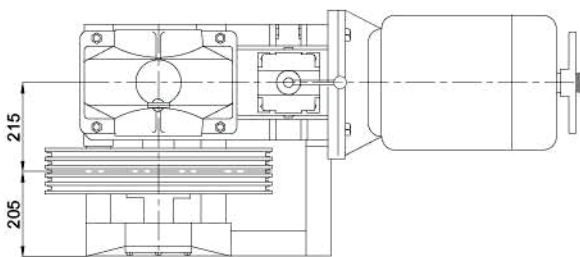
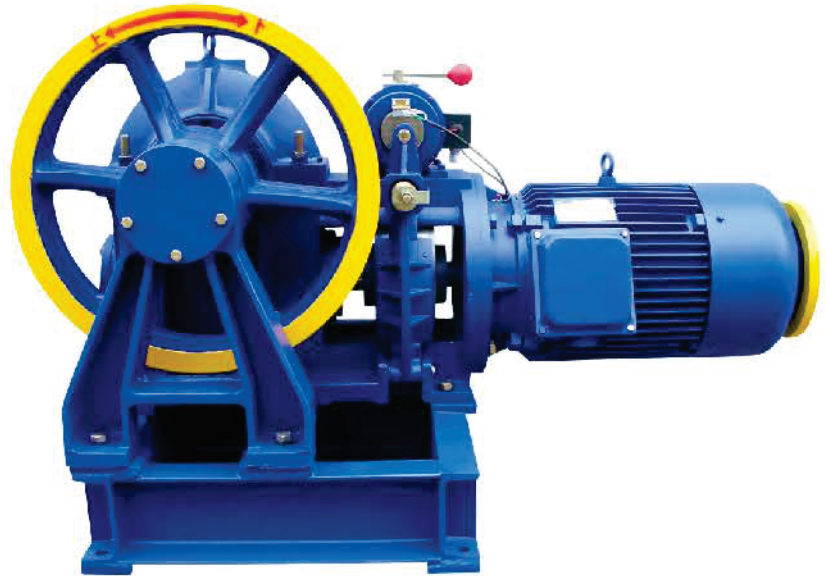
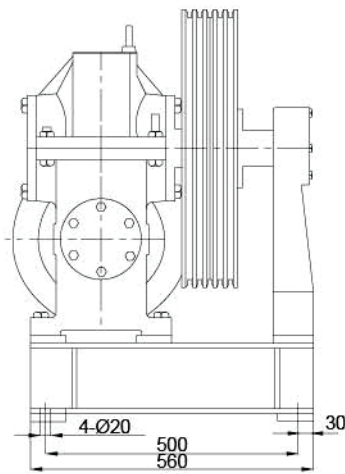


NIM-180

YJF180 Outside Controls Populace Traction Machine



Specification

Static Load: 6000kg

Load(kg)	Speed (m/s)	Reduction ratio	Wire Rope (mm)	Main sheave & pitch (mm)	Motor Specification					Brake Voltage (V)		Weight (kg)	Machine Dimension (mm)	
					Motor model	Power (kw)	Pole	Rpm	Currents (A)	Open	Keep		H	L
1500	0.25	60:1	ϕ 13*5	ϕ 550*20	Y160M-6	7.5	6P	960	17	110	80	490	815	1260
2000	0.25	60:1	ϕ 13*5	ϕ 550*20		11			24.6					