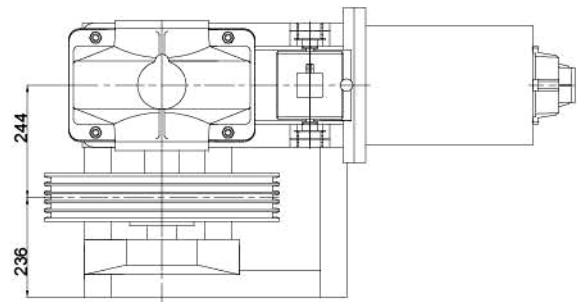
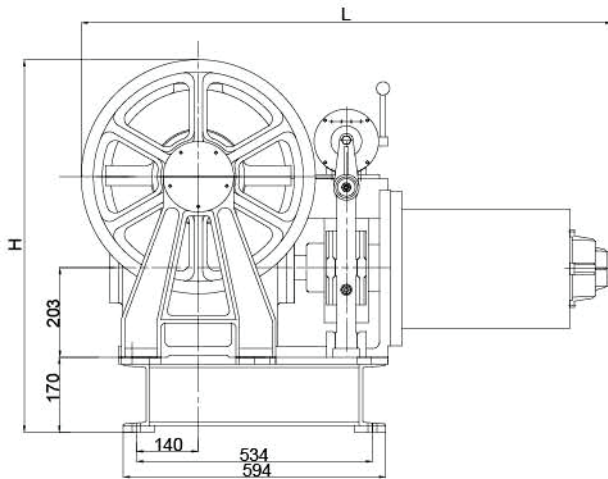
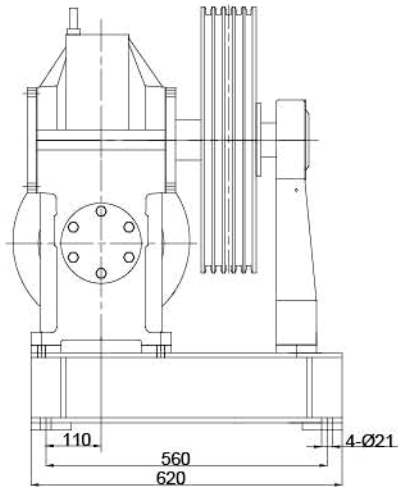


NIM-220K VVVF

YJF220K- VVVF Traction Machine



Specification

Static Load: 6000kg

Load(kg)	Speed (m/s)	Reduction ratio	Wire Rope (mm)	Main sheave & pitch (mm)	Motor Specification					Brake Voltage (V)		Weight (kg)	Machine Dimension (mm)	
					Motor model	Power (kw)	Pole	Rpm	Currents (A)	Open	Keep		H	L
1500	0.5	55:2	ϕ 13*5	ϕ 530-20	YTVF 160L-6	11	6P	960	22.9	110	80	502	850	1200
2000	0.5	55:2	ϕ 13*5	ϕ 530-20										