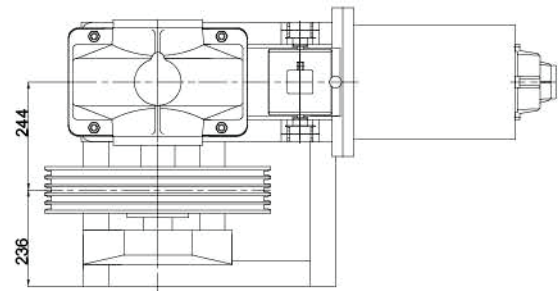
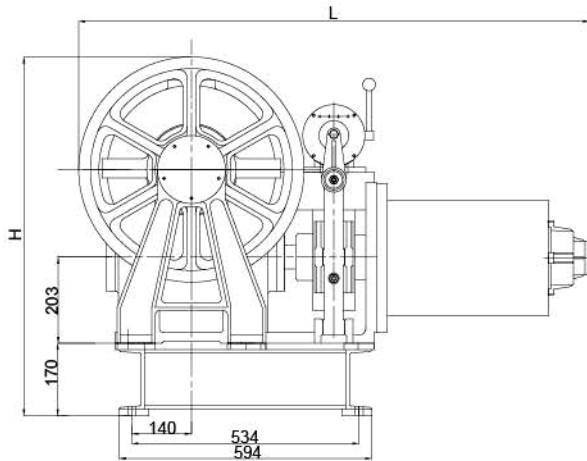
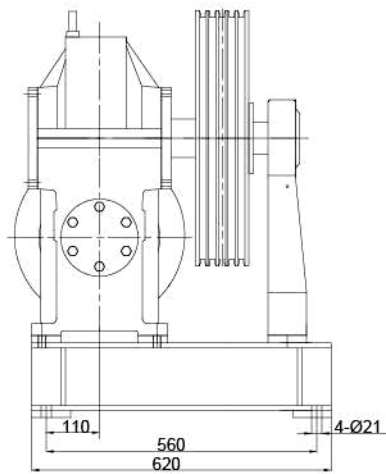


NIM-220KFB VVVF

YJF220 KFB VVVF Anti Explosion Elevator Traction Machine
(flameproof type,dustproof type)



Specification

Static Load: 6000kg

Load(kg)	Roping	Speed (m/s)	Reduction ratio	Wire Rope (mm)	Main sheave & pitch (mm)	Motor Specification					Brake Voltage (V)		Weight (kg)	Machine Dimension (mm)	
						Motor model	Power (kw)	Pole	Rpm	Currents (A)	Open	Keep		H	L
800	1:1	1.0	55:2	ϕ 13*5	ϕ 530-20	YBFT 160L	7.5	6P	960	17.4	110	80	500	840	1460
1500	2:1	0.5	55:2	ϕ 13*5	ϕ 530-20		7.5	6P	960	17.4					