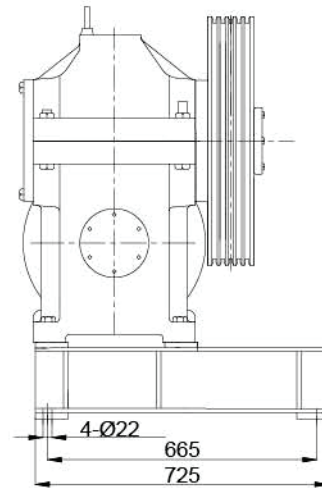
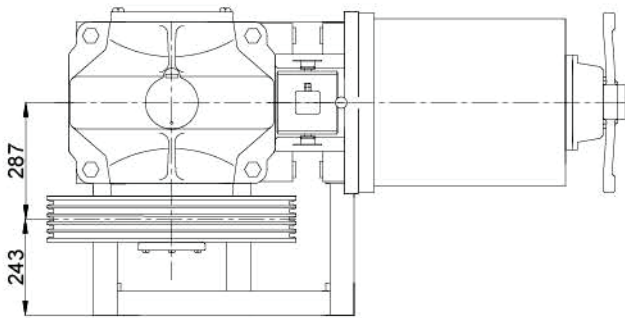
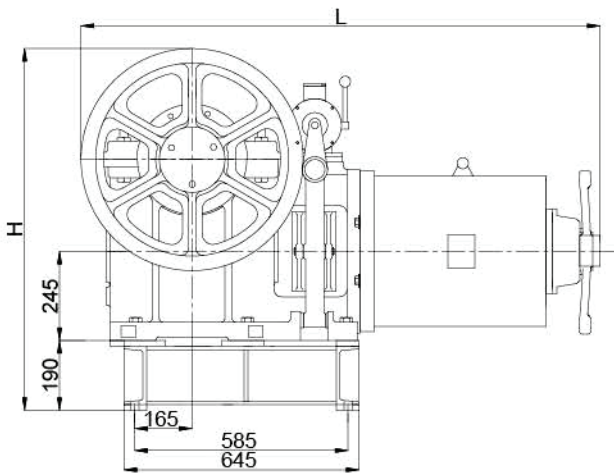


# NIM-250-2000VVVF

YJF250-2000 VVVF Traction Machine



## Specification

Static Load: 12000kg

Load(kg)	Roping	Speed (m/s)	Reduction ratio	Wire Rope (mm)	Main sheave & pitch (mm)	Motor Specification					Brake Voltage (V)		Weight (kg)	Machine Dimension (mm)	
						Motor model	Power (kw)	Pole	Rpm	Currents (A)	Open	Keep		H	L
2000	1:1	0.63	51:2	ϕ 13*6	ϕ 640-20	YTVF 180L-6	11	6P	960	21	110	80	850	1000	1440
	2:1					YTVF 180-4	18.5	4P	1450	40					
1000		2.0	51:2	ϕ 13*6	ϕ 640-20	YTVF 180-4	18.5	4P	1450	40			890	1007	1540