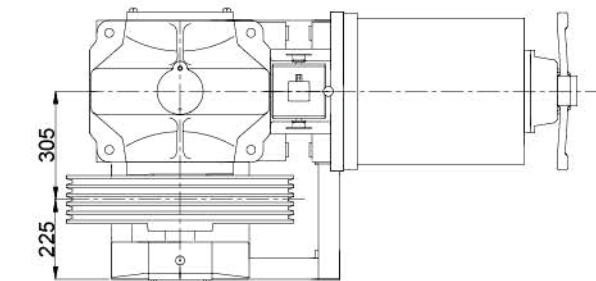
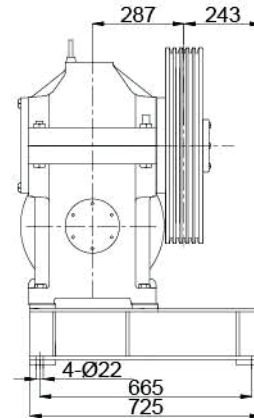
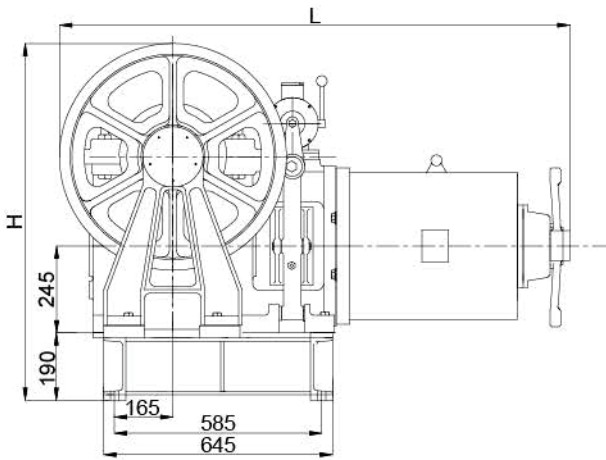


NIM-250FB VVVF

YJF250FB VVVF Anti Explosion Elevator Traction Machine
(flameproof type,dustproof type)



1500kg-2m/s 3200kg-0.5m/s

1000kg-1m/s 200-0.5m/s

Specification

Static Load: 12000kg

Load(kg)			Speed (m/s)	Reduction ratio	Wire Rope (mm)	Main sheave & pitch (mm)	Motor Specification					Brake Voltage (V)		Weight (kg)	Machine Dimension (mm)			
Roping							Motor model	Power (kw)	Pole	Rpm	Currents (A)	Open	Keep		H	L		
1:1	2:1	4:1																
1000			1.0	63:2	φ 16*5	φ 640-25	YTD 160 TVF-6	11	6P	960	26	110	80	850	1007	1540		
	2000		0.5	63:2	φ 16*5	φ 640-25											870	
1500			1	63:2	φ 16*5	φ 640-25											32	985
	3000		0.5	63:2	φ 16*5	φ 640-25											41	1000
1600			1	63:2	φ 16*5	φ 640-25											57	1050
	3200		0.5	63:2	φ 16*5	φ 640-25												
		6000	0.5	51:2	φ 16*6	φ 640-25												