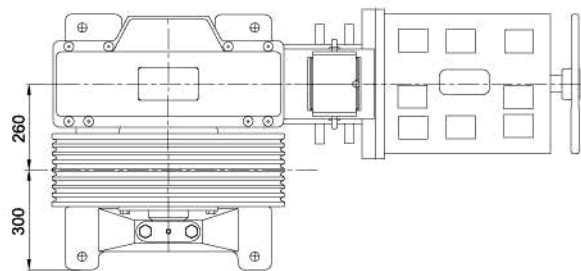
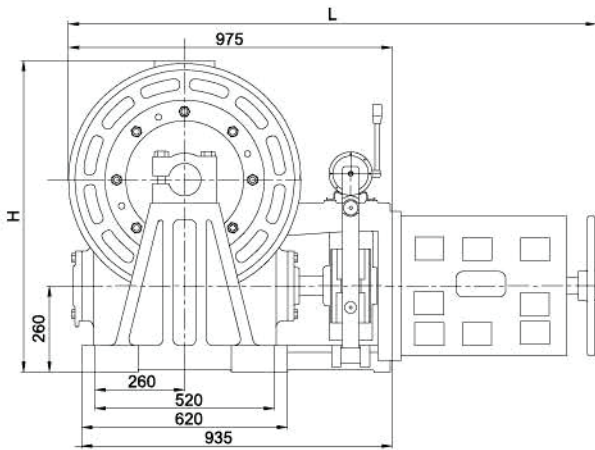
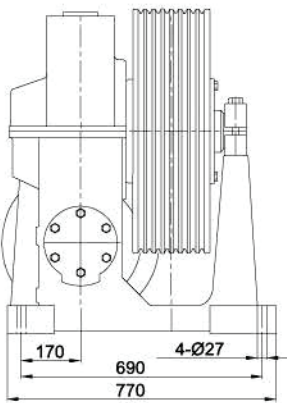


# NIM-310FB VVVF

YJF310FB VVVF Anti Explosion Traction Machine  
(flameproof type,dustproof type)



## Specification

**Static Load: 12500kg**

Load(kg)		Speed (m/s)	Reduction ratio	Wire Rope (mm)	Main sheave & pitch (mm)	Motor Specification					Brake Voltage (V)		Weight (kg)	Machine Dimension (mm)	
Roping						Motor model	Power (kw)	Pole	Rpm	Currents (A)	Open	Keep		H	L
2:1	4:1														
5000		0.25	69:1	φ 16*6	φ 700-25	YTD 225 TVF	19	6P	950	41	110	80	1800	950	1600
5000		0.5	69:2	φ 16*6	φ 700-25		22	6P	950	45					
5000		1.0	61:2	φ 16*8	φ 800-25		45	4P	1480	84					
	8000	0.5	61:2	φ 16*8	φ 800-25		50	4P	1480	93					