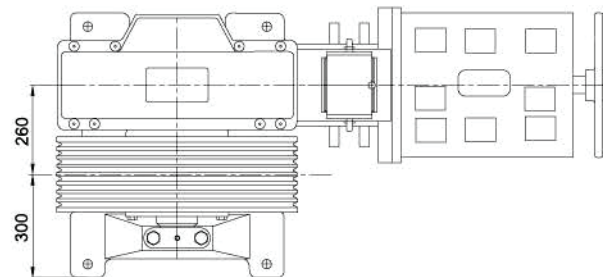
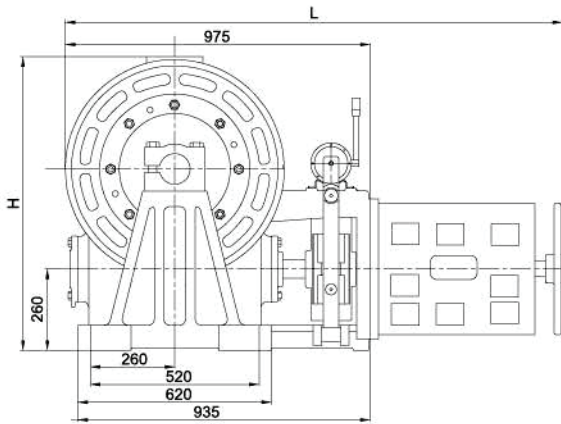
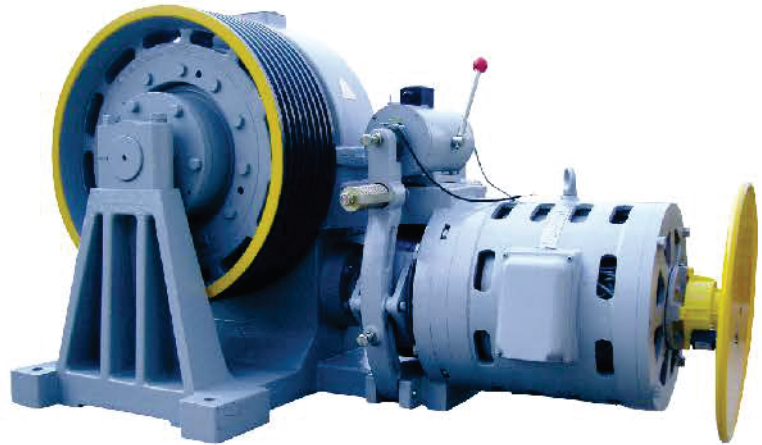
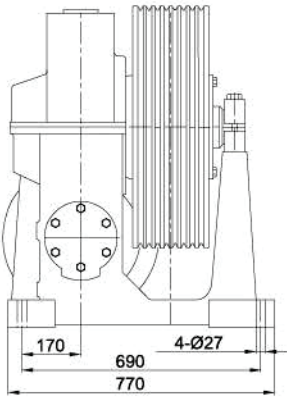


NIM-310Z VVVF

YJF310Z VVVF Traction Machine



Specification

Static Load: 12500kg

Load(kg)		Speed (m/s)	Reduction ratio	Wire Rope (mm)	Main sheave & pitch (mm)	Motor Specification					Brake Voltage (V)		Weight (kg)	Machine Dimension (mm)	
Roping						Motor model	Power (kw)	Pole	Rpm	Currents (A)	Open	Keep		H	L
1:1	2:1	4:1													
	5000		0.25	69:1	ø 700-25	YVF 180L-6	19	6P	950	40	110	80	1700	950	1600
	5000		0.5	69:2		YTVF 225S-6	22						41		
2500			1.0	69:2	ø 800-25	YTVF 225M-4	45	4P	1480	83.5			2000	1050	1700
	5000		1.0	61:2									ø 16*8		
			2.0	61:2	ø 16*8										
			8000	0.5	61:2	ø 16*8									