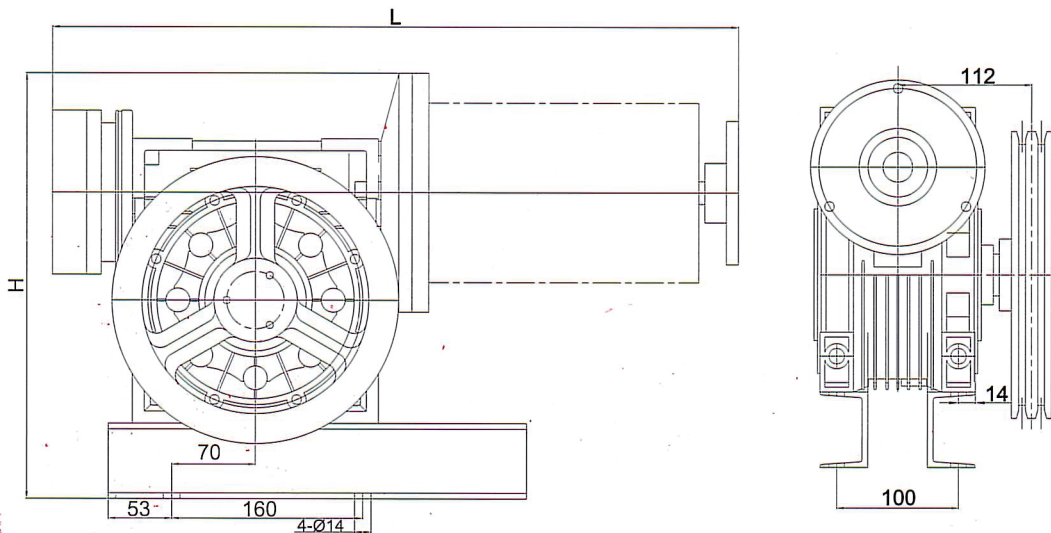
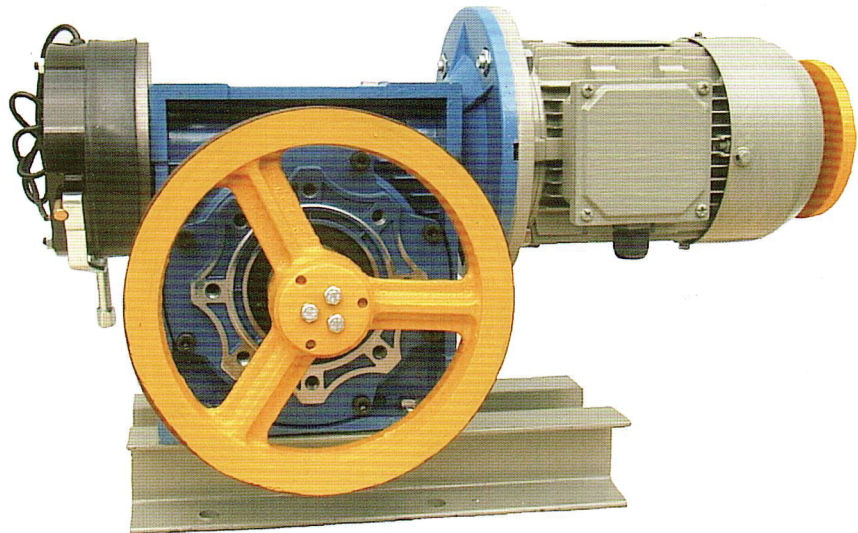


NIM-90L

YJF90L Populace Goods Elevator
Traction Machine



Specification

Static Load: 1500kg

Load(kg)	Speed (m/s)	Reduction ratio	Wire Rope (mm)	Main sheave & pitch (mm)	Motor Specification					Brake Voltage (V)		Weight (kg)	Machine Dimension (mm)	
					Motor model	Power (kw)	Pole	Rpm	Currents (A)	Open	Keep		H	L
220	0.4	50:1	ø 8*2	ø 240-16	YX3-80M1-4	0.55	4P	1400	1.5	110	80	40	365	574
240	0.4	50:1	ø 8*2	ø 240-16	YX3-80M2-4	0.75	4P	1400	1.9			42	365	594