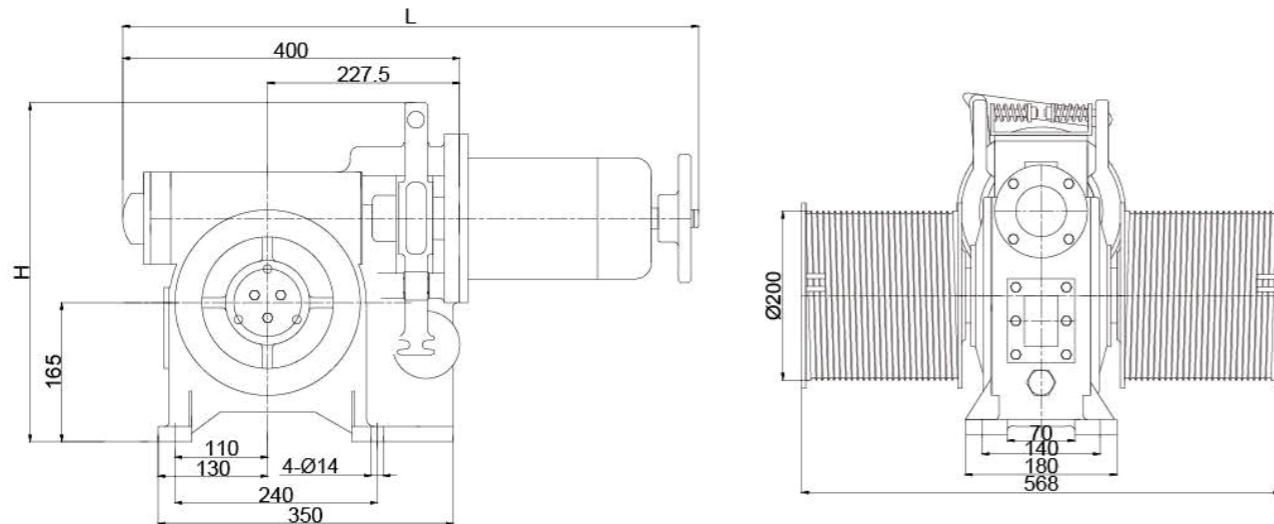


NIM-GT100K

GT100K Roller Single Speed Traction Machine

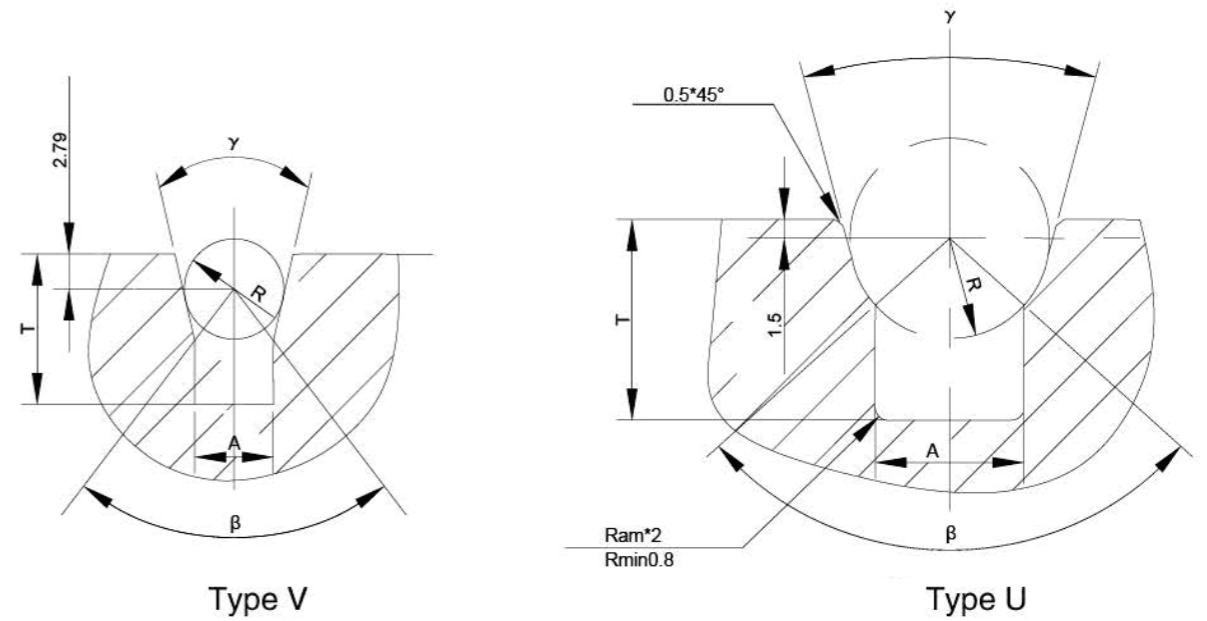


Specification

Static Load: 2500kg

Load (P+Q)	Roping	Consult Carry heavy	Reduction ratio	Speed (m/s)	Wire Rope (mm)	Roller Dia. (mm)	Effective Hoist Height (m)	Motor Specification				Brake Voltage (V)		Weight (kg)	Machine Dimension (mm)	
								Motor model	Power (kw)	Pole	Rpm	Currents (A)	Open		Keep	H
230	1:1	100	39:1	0.4	Ø 6*2	Ø 200	12	YZH90 L-4	1.5	4P	1400	3.7	110	80	180	840
350	1:1	200	39:1	0.4	Ø 6*2	Ø 200	12	YZH100 L-4	2.2	4P	1420	5.2	110	80	190	860

Groove



Groove	Rope Dia.(mm)	β	γ	A	R	T
V Groove	Ø 8	90	31	5.61	4	11
	Ø 10	95	30	7.37	5	12.5
U Groove	Ø 12	95	30	8.85	6	12.5
	Ø 13	96.5	40	9.7	6.5	14
	Ø 16	96.5	30	11.93	8	16

This is our factory standard configuration groove , customer should calculate by elevator traction condition and safety factor of rope