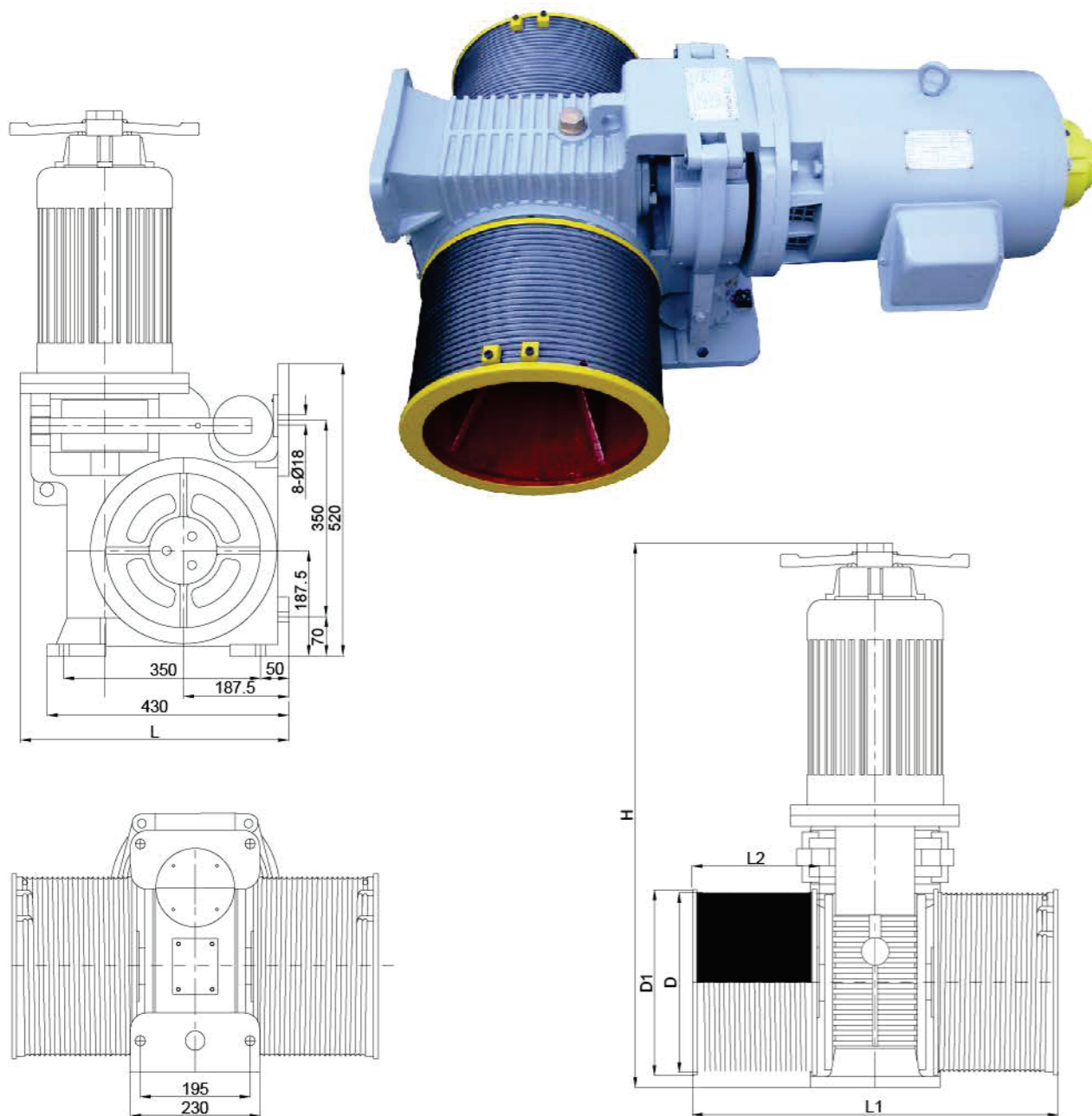


# NIM-GT140WL VVVF

GT140WL VVVF Roller Traction Machine

- For Villa Lift, No Counterweight Needed



# NIM-GT140WL VVVF

GT140WL VVVF Roller Traction Machine

## Roller Specification

Roller Dia. (ϕ D)	Dia. (ϕ D1)	Roller Length (L2)	Effective Hoist Height (m)	Total Width (L1)
ϕ 250	ϕ 290	268	24	750
ϕ 320	ϕ 330	225	19	730

Distance between two rope sockets on the car top is the same as the distance between two wire ropes when the car stops at the top floor.

## Specification

**Static Load: 8000kg**

Load(P+Q) Roping 1:1	Speed (m/s)	Reduction ratio	Wire Rope (mm)	Roller Dia. (mm)	Effective Hoist Height (m)	Motor Specification				Brake Voltage (V)		Weight (kg)	Machine Dimension(mm)		
						Motor model	Power (kw)	Pole	Rpm	Currents (A)	Open		Keep	H	L
1200	0.246	51:1	ϕ 6	ϕ 250	24	YTVF 132 M-6	5.5	6P	960	12.6	110	80	230	1000	550
1000	0.325	51:1	ϕ 8	ϕ 320	19										
1250	0.246	51:1	ϕ 6	ϕ 250	24	YVT 160 S-6	6.4	6P	960	14	110	80	250	1000	550
1100	0.315	51:1	ϕ 8	ϕ 320	19										
1600	0.246	51:1	ϕ 6	ϕ 250	24										
1250	0.315	51:1	ϕ 8	ϕ 320	19		7.5			16			270	1020	